



MATERIAL AND FINISH:

Insulator: Polycarbonate, UL-94V-0 rated
 Contacts: Brass, Nickel plated

ELECTRICAL SPECIFICATIONS:

Current rating: 10 A 
 Voltage rating: 250 VAC
 Current rating: 15 A 
 Voltage rating: 250 VAC

ORDERING CODE:

42R01-4 $\frac{2}{1} \frac{2}{3}$

1 = COLOR


- 1 = BLACK
- 2 = GRAY

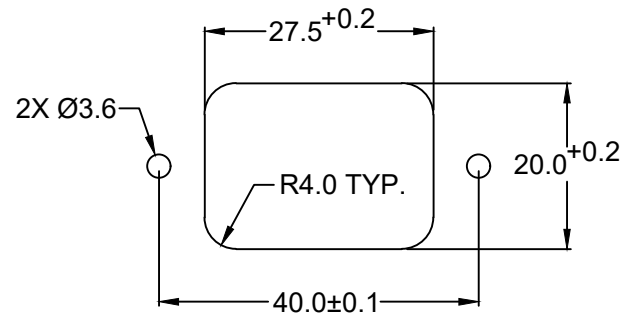
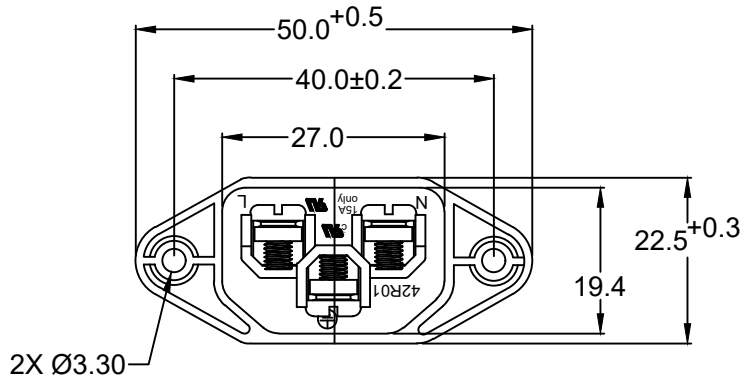
**2 = M3x6.0mm
 SCREW TERMINALS**

**3 = ELECTRICAL CIRCUIT
 CONFIGURATION**

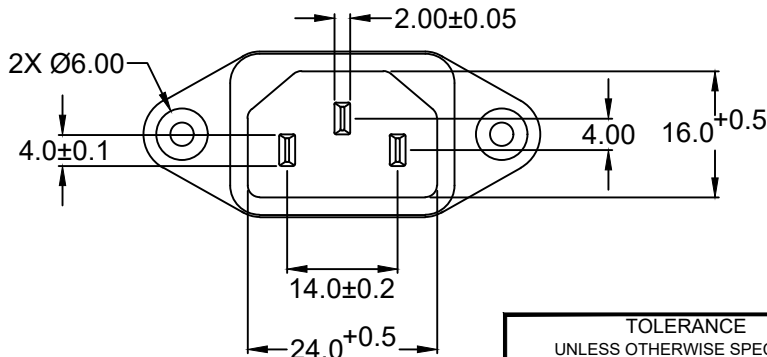
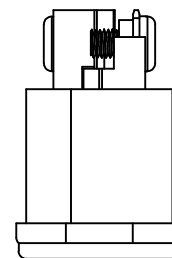
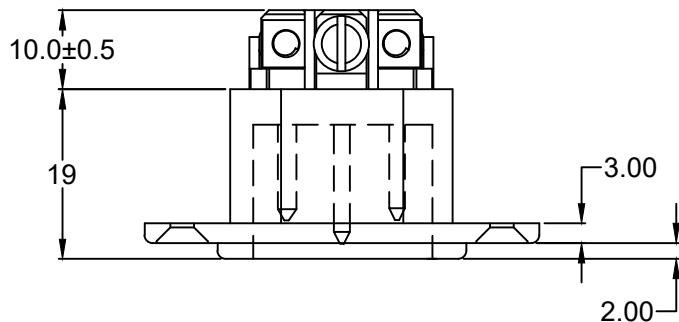
1 = 15A 250V 120°C
 2+GROUND 

2 = 15A 250V 70°C
 2+GROUND 

4 = 15A 250V 70°C
 2 POLE 



RECOMMENDED
 PANEL CUT-OUT



RoHS
 COMPLIANT

REVISIONS		CHANGE	CHK	CHK	APPR
REV	DATE	DESCRIPTION	BY	DATE	BY
A	2/6/24	cJR was CSA	PB		
B	2/20/24	REMOVED "E" MARK	PB		

TOLERANCE UNLESS OTHERWISE SPECIFIED	
X	± 1
X.X	± 0.4
X.XX	± 0.20
DRAWN BY	GQ
CHECK BY	TD
APPR BY	PB
DATE:	08/08/01
DATE:	08/14/01
DATE:	08/14/01

Power Dynamics, Inc.	
Phone: 973 560-0019 Whippany, New Jersey Fax: 973 560-0076	
PART: IEC 60320 C14 APPL. INLET; SCREW TERMINALS; SIDE FLANGE	
PART #: 42R01-4X2X	
SIZE: A	ALL DIMENSIONS FOR REFERENCE ONLY DIMENSIONS ARE IN MILLIMETERS
SCALE: NTS	REV: B
SHEET 1 of 1	